

 **TEHNOS**



# TEHNOS

- Company from Slovenia
- 30 years of tradition

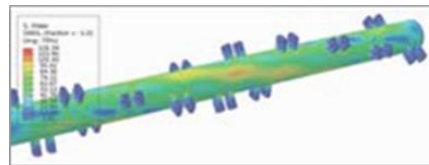
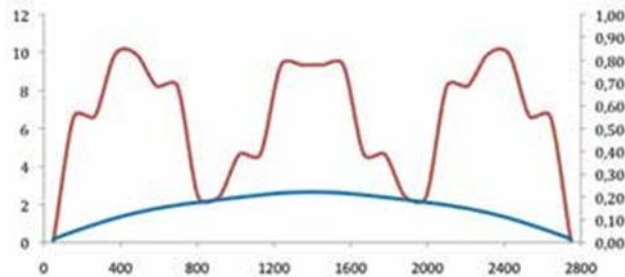


## Business statistics:

	2017	2018	2019
<i>Turnover (in € million)</i>	15,7	16,1	17,1
<i>Number of employees</i>	124	125	125
<i>Manufacturing surface (m<sup>2</sup>)</i>	11.754	17.434	17.434
<i>Direct export</i>	86%	89%	91%
<i>Number of export countries</i>	36	37	39

# TEHNOS ROTOR - PATENT

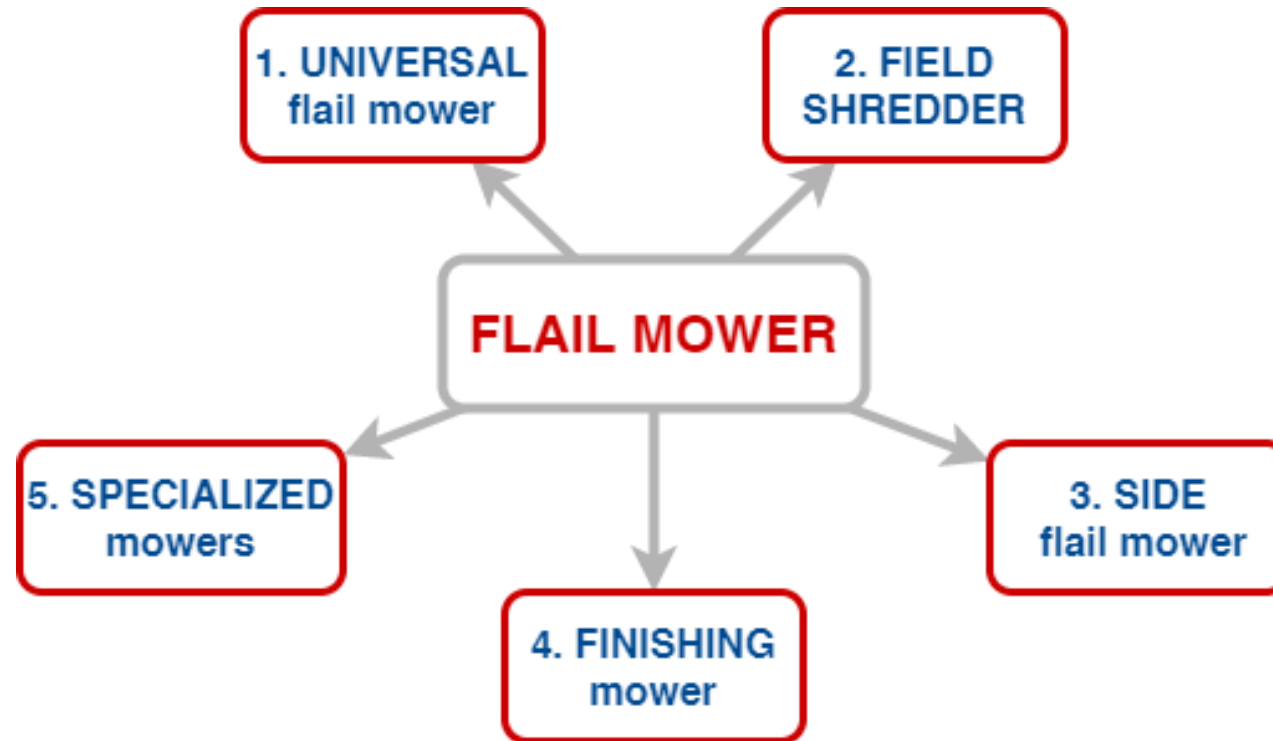
The patented distribution of the flails on the rotor ensures less vibration. This means a smooth operation and a longer service life of the machine. Minimum bending stress and deformation are visible from the diagram.



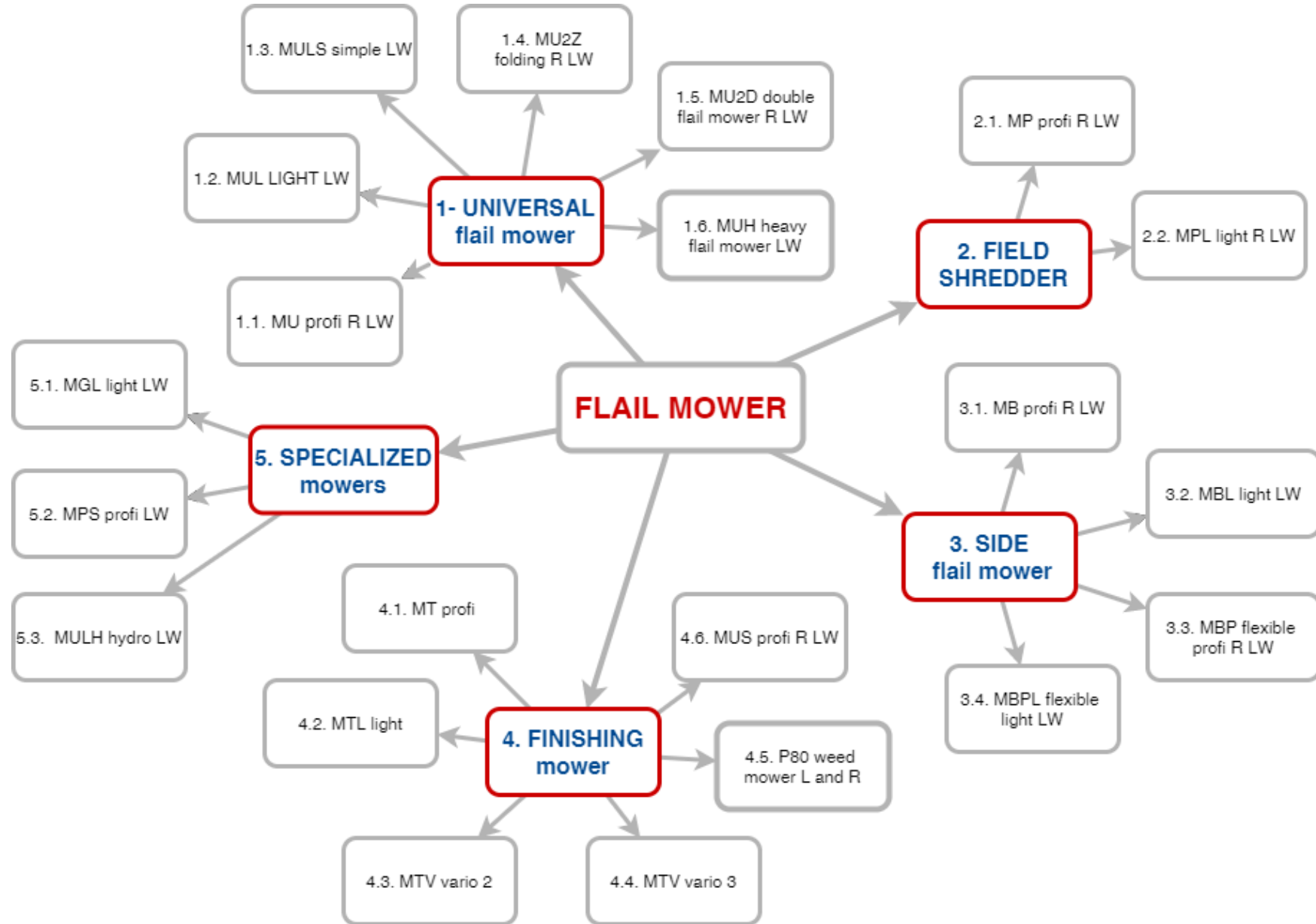
The Low Vib (LW) patent allows for a faster rotation of the rotor at a higher circumferential speed of the flails, which significantly enhances the effect of mulching.

Link: <https://www.youtube.com/watch?v=K10UaeYwdQA>

# TEHNOS FLAIL MOWER BASIC DIVISION

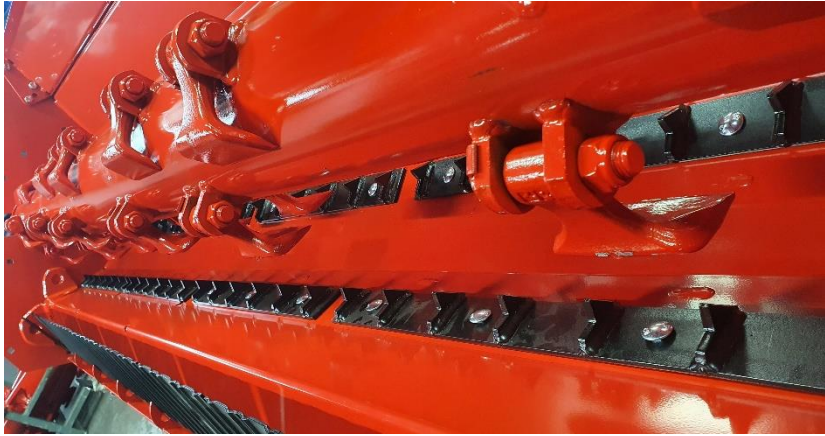


# TEHNOS FLAIL MOWER DETAILED DIVISION





# WHAT ARE CONTRA KNIFES?



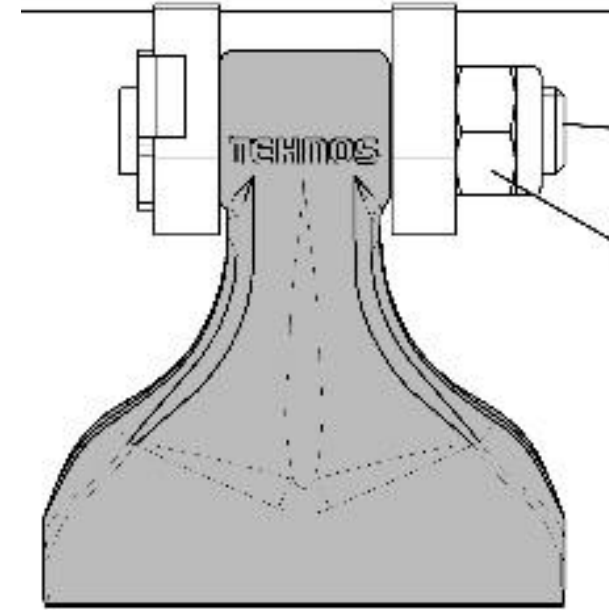
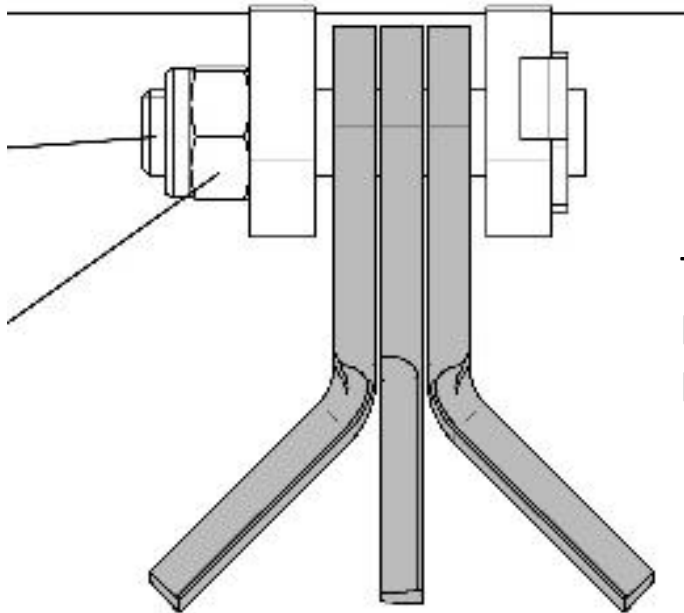
# HOW DO HAMMER AND Y-KNIFES LOOK LIKE?

## TYPE OF HAMMERS

P3 = 1,4 kg are used on: MU, MU2Z, MU2D, MPL, MB, MBP, MUS, MPS

P2 = 1,0 kg are used on: MUL, MULS, MBL, MBLS, MBPL, MULH

T22 = 1,6 kg are used on: MUH, MP



## TYPE OF KNIFES

L 110 = 1,6 kg are used on: MU, MU2Z, MU2D, MPL, MB, MBP, MUS, MPS

L 160 = 2,2 kg are used on: MUH, MP

# 1. UNIVERSAL FLAIL MOWERS

They are used for mulching crop residues in agriculture (corn, straw, potato shoots, sunflowers, green manure), utilities (along roadsides, railways, infrastructure facilities, embankments and along waterways), fruit-growing and viticulture (branches, vine shoots, grasslands) as well as for clearing pastures.

Smooth operation is enabled by an electronically balanced rotor with patented Low Vib (LW) distribution of the flails. This ensures a reduced source of vibrations, minimum bending deformation and stress, which extends the service life of the flail mower.

Link:

<https://www.youtube.com/watch?v=d0rWqMTWdUM&t=5s>

<https://www.youtube.com/watch?v=4kD55vfkAgA>

<https://www.youtube.com/watch?v=pvFZ-ffMn14>

<https://www.youtube.com/watch?v=OtSdpSa5z7k&t=18s>

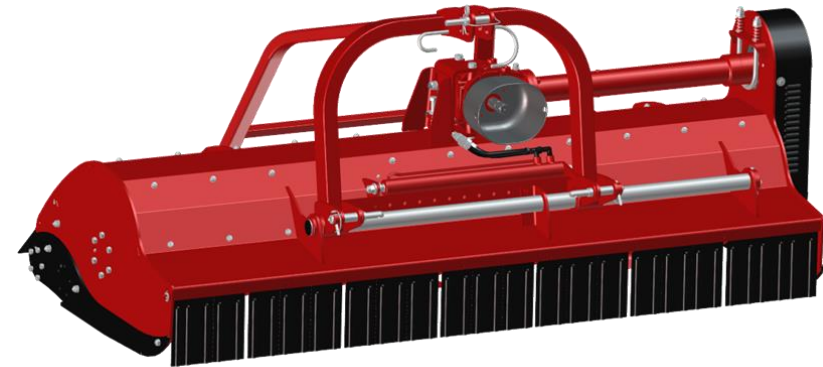


# 1.1. MU profi R LW (Universal flail mower profi)

Working width: 130 – 220 cm

Technical specification:

- High-quality double skin case
- Rotor fi: 168mm
- Hammer weight: 1,4 kg
- 3 rows of counter knives



Model/Type	MU 130R LW	MU 150R LW	MU 170R LW	MU 200R LW	MU 220R LW
Working width (cm)	130	150	170	200	220
Transport width (cm)	150	170	190	220	240
Machine dimensions a x b x c (cm)	150x117x107	170x117x107	190x117x107	220x117x107	240x117x107
Machine offset (cm)	41	41	51	51	51
Number of belts (pcs)	3	4	4	4	5
Engine speed (rpm)	540 / 1000	540 / 1000	540 / 1000	540 / 1000	540 / 1000
Number of hammers (pcs)	12	14	16	18	20
Tractor power (kW)	22 - 37	29 - 48	33 - 55	40 - 63	48 - 74
Tractor power (KM)	30 - 50	40 - 65	45 - 75	55 - 85	65 - 100
Machine weight (kg)	503	553	593	652	692

# 1.1. MU profi R LW (Universal flail mower profi)

Working width: 130 – 220 cm

Standard equipment: Rear linkage, mechanical offset

Additional equipment:



Hydraulic offset



Double side linkage



Rubber flap protection



Chain and rubber flap protection



Pick-up knives bracket



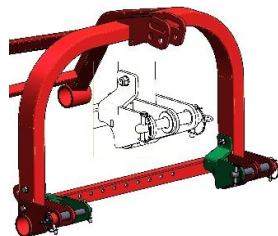
Pick-up knife



PTO drive shafts



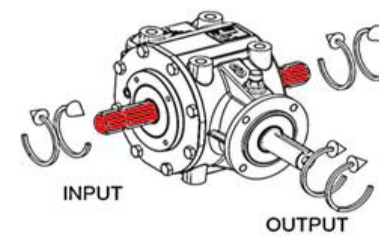
Turnable linkage



Additional ear for I. category



Warning boards + LED lighting



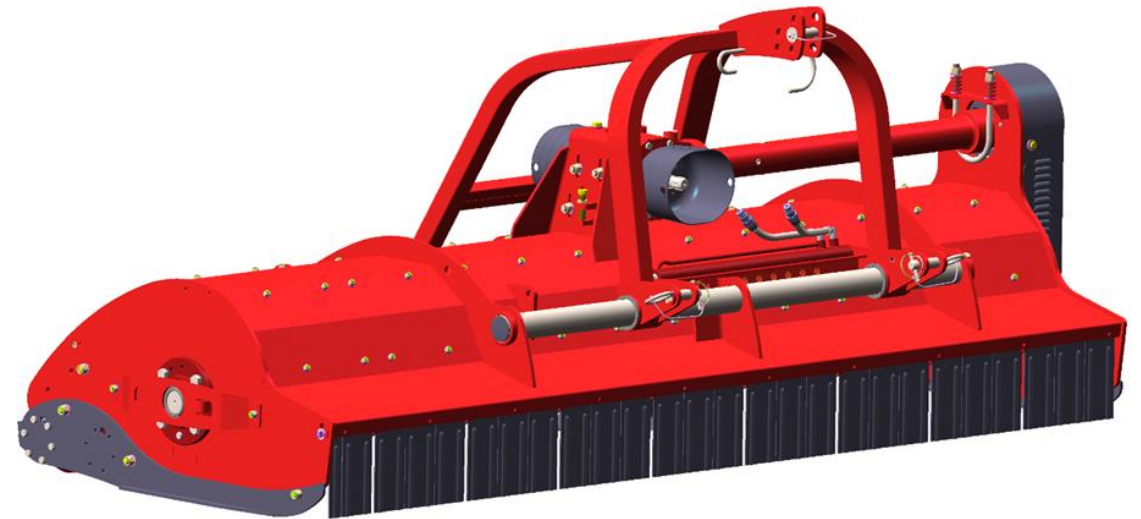
Reversible gearbox

# 1.1. MU profi R LW (Universal flail mower profi)

Working width: 250 – 300 cm

Technical specification:

- High-quality double skin case
- Rotor fi: 219 mm
- Hammer weight: 1,4 kg
- 3 rows of counter knives



Model/Type	MU 250R LW	MU 280R LW	MU 300R LW
Working width (cm)	250	280	300
Transport width (cm)	270	300	320
Machine dimensions a x b x c (cm)	270 x 128 x 121	300 x 128 x 121	320 x 128 x 121
Machine offset (cm)	58	58	58
Number of belts (pcs)	5	5	5
Engine speed (rpm)	(540) 1000	(540) 1000	(540) 1000
Number of hammers (pcs)	22	26	28
Tractor power (kW)	59 - 88	66 - 96	81 - 110
Tractor power (KM)	80 - 120	90 - 130	110 - 150
Machine weight (kg)	950	1012	1070

# 1.1. MU profi R LW (Universal flail mower profi)

Working width: 250 – 300 cm

Standard equipment: Rear linkage, mechanical offset

Additional equipment:



Hydraulic offset



Double side linkage



Rubber flap protection



Chain and rubber flap protection



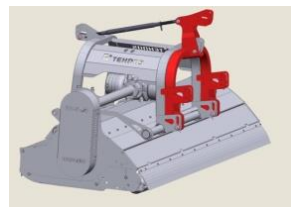
Signal signs and lighting



PTO drive shaft



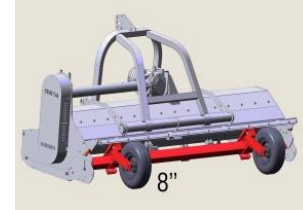
Linkage discharge



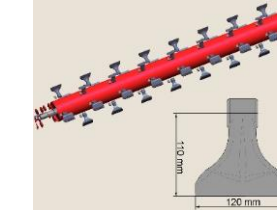
Linkage extension



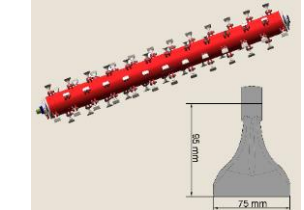
Wheels 12 "



Wheels 8 "



Rotor 48 hammers



Rotor 72 hammers

# 1.2. MUL light LW (Universal flail mower light)

Working width: 110 – 220 cm

Technical specification:

- Rotor fi: 139 mm
- Hammer weight: 1,0 kg
- 1 row of counter knives



Model/Type	MUL 110 LW	MUL 130 LW	MUL 150 LW	MUL 170 LW	MUL 200 LW	MUL 220 LW
Working width (cm)	110	130	150	170	200	220
Trans. width (cm)	130	150	170	190	220	240
Machine dim. a x b x c (cm)	130x107x105	150x107x105	170x107x105	190x107x105	220x107x105	240x107x105
Machine offset cm	28	41	41	51	51	51
No. of belts (pcs)	3	3	3	4	4	5
Number of revolutions (rpm)	540 / 1000	540 / 1000	540 / 1000	540 / 1000	540 / 1000	540 / 1000
Number of hammers (pcs)	10	12	14	16	18	20
Tractor power (kW)	15 - 29	18 - 33	26 - 40	29 - 44	37 - 51	44 - 59
Tractor power (KM)	20 - 40	25 - 45	35 - 55	40 - 60	50 - 70	60 - 80
Machine weight kg	332	375	405	445	485	525



# 1.2. MUL light LW (Universal flail mower light)

Working width: 110 – 220 cm

Standard equipment: Rear linkage, mechanical offset

Additional equipment:



Hydraulic offset



Rubber flap protection



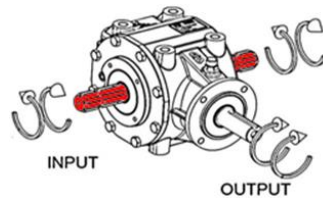
Double side linkage



Turnable linkage



PTO drive shafts



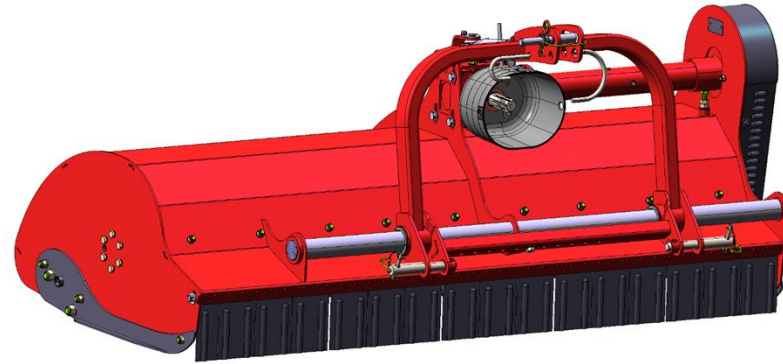
Reversible gearbox

# 1.3. MULS simple LW (Universal flail mower simple)

Working width: 110 – 170 cm

Technical specification:

- Rotor fi: 114 mm
- Hammer weight: 1,0 kg
- 1 row of counter knives



Model/Type	MULS 110 LW	MULS 130 LW	MULS 150 LW	MULS 170 LW
Working width (cm)	110	130	150	170
Transport width (cm)	121	141	161	181
Machine dimensions a x b x c (cm)	121x100x80	141x100x80	161x100x80	181x100x80
Possible offset of machine (cm)	12	12	12	10
Number of belts (pcs)	3	3	3	3
Engine speed (rpm)	540	540	540	540
Number of hammers (pcs)	10	12	14	16
Tractor power (kW)	11 - 26	15 - 29	18 - 33	22 - 37
Tractor power (KM)	15 - 35	20 - 40	25 - 45	30 - 50
Machine weight (kg)	262	282	302	321

Standard equipment:  
Rear linkage, mechanical offset

Additional equipment:



Rubber flap protection



PTO drive shafts

# 1.4. MU2Z profi R LW (Universal folding flail mower profi)

Working width: 840 – 900 cm

Technical specification:

- High-quality double skin case
- Rotor fi: 219 mm
- Hammer weight: 1,4 kg
- 3 rows of counter knives



Model/Type	MU2Z 840R LW	MU2Z 900R LW
Working width (cm)	2 x 280	2 x 300
Transport width a (cm)	290	290
Machine dimensions a x b x c (cm)	813 x 150 x 170	853 x 150 x 170
Number of belts (pcs)	2 x 5	2 x 5
Engine speed (rpm)	1000	1000
Number of hammers (pcs)	2 x 26	2 x 28
Tractor power (kW)	162 - 213	176 - 228
Tractor power (KM)	220 - 290	240 - 310
Machine weight (kg)	2820	2910

Additional equipment:



Chain and rubber flap protection



Wheels 12 "

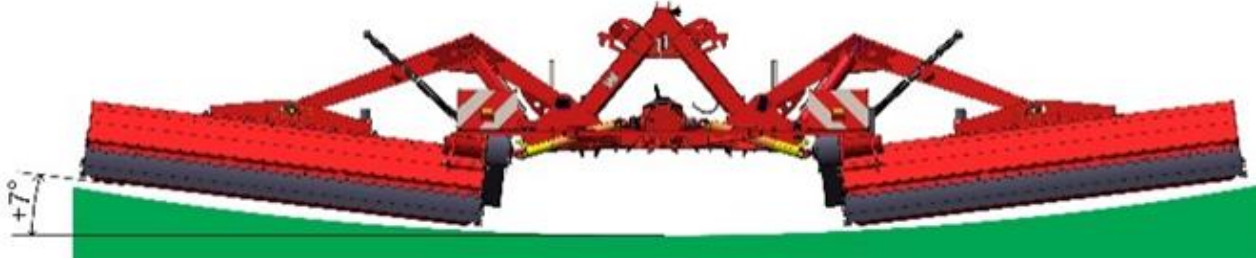
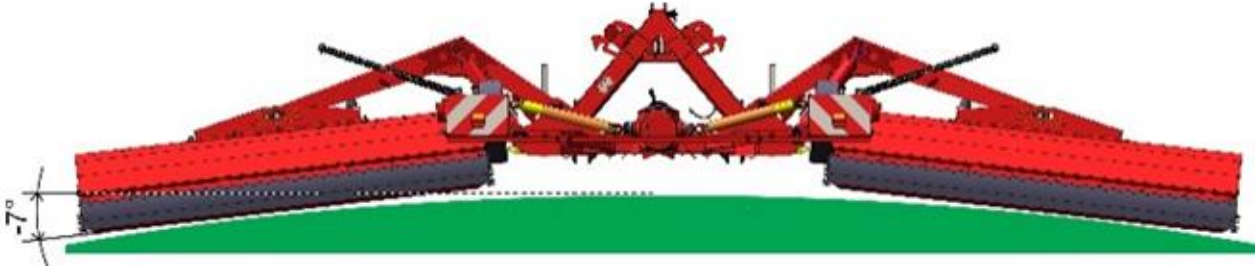
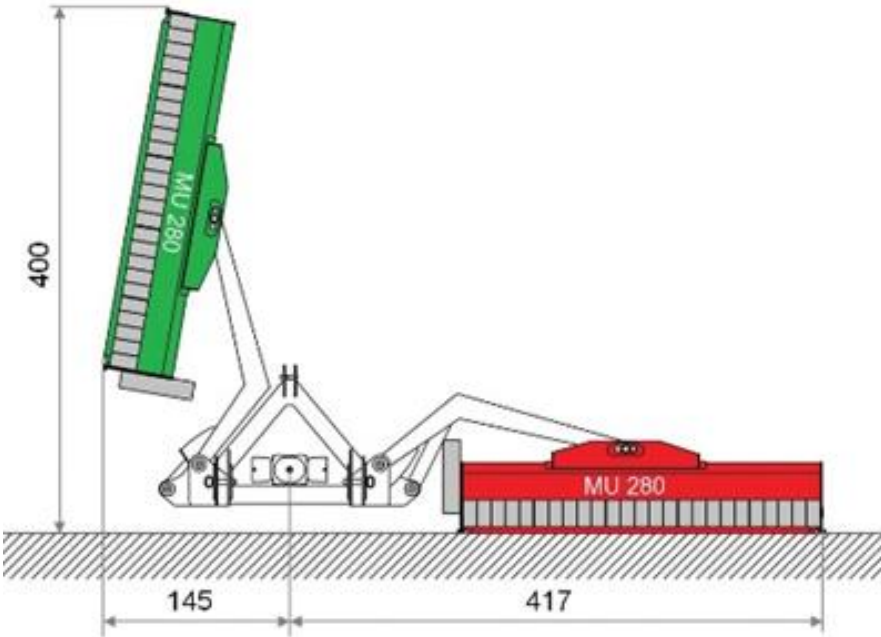


PTO drive shafts

# 1.4. MU2Z profi R LW (Universal folding flail mower profi)

Working width: 840 – 900 cm

Working area of the machine

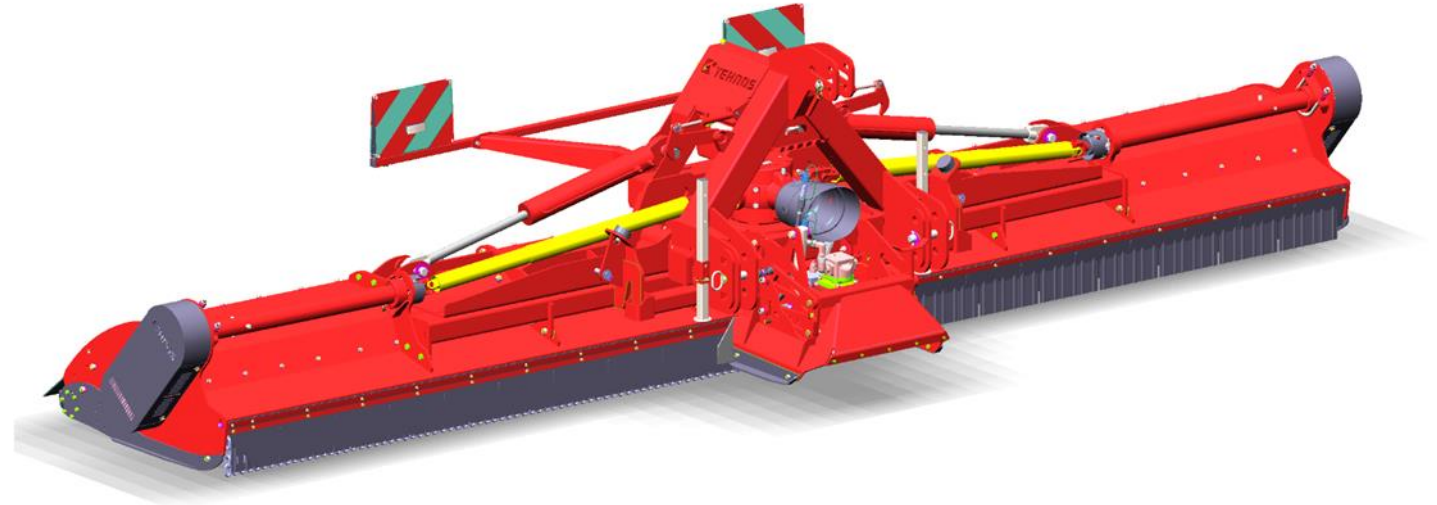


# 1.5. MU2D profi R LW (Universal double flail mower profi)

Working width: 600 cm

Technical specification:

- High-quality double skin case
- Rotor fi: 219 mm
- Hammer weight: 1,4 kg
- 3 rows of counter knives



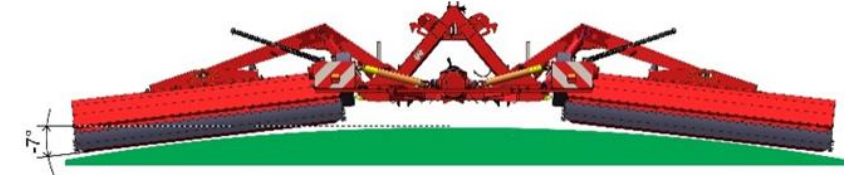
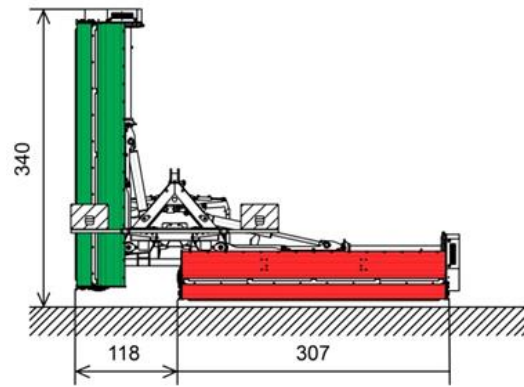
Model/Type	MU2D 610R LW
Working width (cm)	2 x 300
Transport width a (cm)	240
Machine dimensions a x b x c (cm)	646 x 190 x 150
Number of belts (pcs)	2 x 5
Engine speed (rpm)	1000
Number of hammers (pcs)	2 x 28
Tractor power (kW)	132 - 228
Tractor power (KM)	180 - 310
Machine weight (kg)	2900



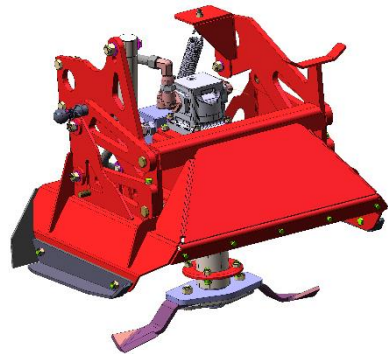
# 1.5. MU2D profi R LW (Universal double flail mower profi)

Working width: 600 cm

Working area of the machine



Middle mower



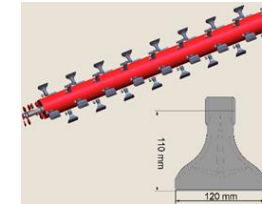
Additional equipment:



Chain and rubber flap protection



Wheels 12"



Rotor 48 hammers



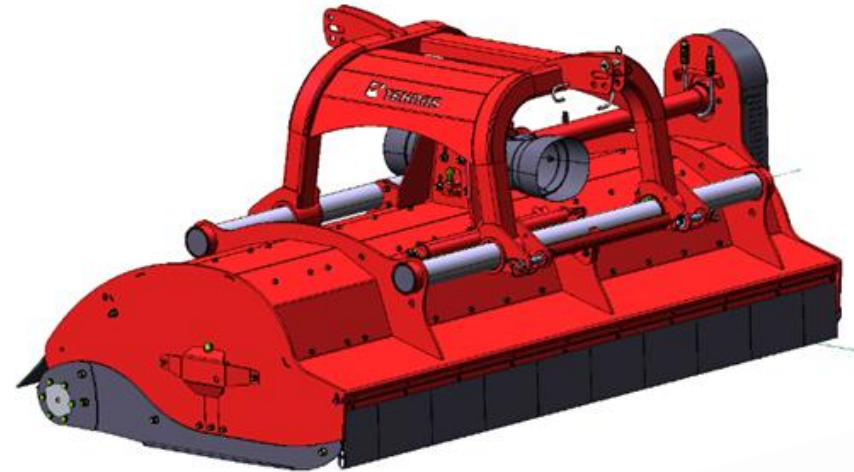
PTO drive shafts

# 1.6. MUH heavy LW (Universal flail mower heavy)

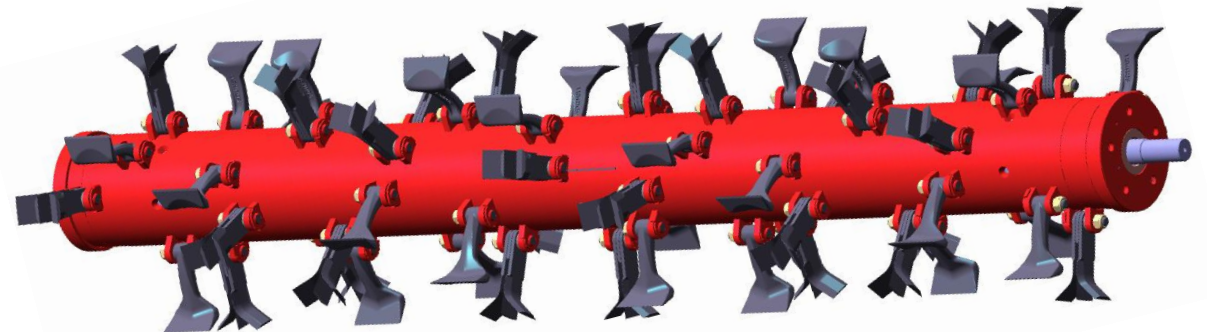
Working width: 280 – 300 cm

Technical specification:

- Rotor fi: 244 mm
- Hammer weight: 1,6 kg
- Knife weight: 2,2 kg
- 3 rows of counter knives
- Working speed 20 km/h



Model / Type	MUH 280R LW	MUH 300R LW
Working width (cm)	280	300
Transport width (cm)	70	70
Number of belts (pcs)	5	5
Engine speed (rpm)	1000	1000
Number of hammers + knives (pcs)	32+32	34+34
Tractor power (kW)		
Tractor power (HP)		
Machine weight (kg)	2006	2104*

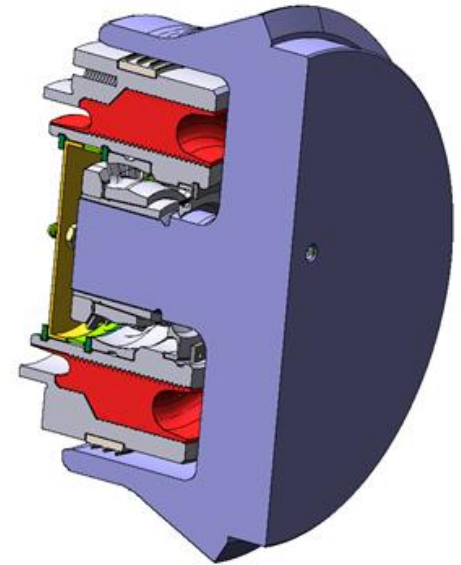


# 1.6. MUH heavy LW (Universal flail mower heavy)

Working width: 280 – 300 cm

Standard equipment:

- High-quality double skin case with additional screwed high-strength and wear-resistant sheet metal
- Hydraulic offset
- Double side linkage
- Rubber flap protection
- Chain and rubber flap protection
- Signal signs and lighting
- Purposely-made bearing housing on supporting roller bearings with rubber shock absorption.



## 2. FIELD SHREDDER

Field shredders are robust and versatile machines for work on large areas of farmland at a **higher working speed** and where is **bigger volume of the mulching mass**.

They are designed primarily to mulch cereal and maize stubble, grass, sunflowers and other crops used for green fertilization.

Smooth operation is enabled by an electronically balanced rotor with **patented Low Vib (LW) distribution of the flails**. This ensures a reduced source of vibrations, minimum bending deformation and stress, which extends the service life of the flail mower.

Link:

<https://www.youtube.com/watch?v=FTaWS7WIS8c>

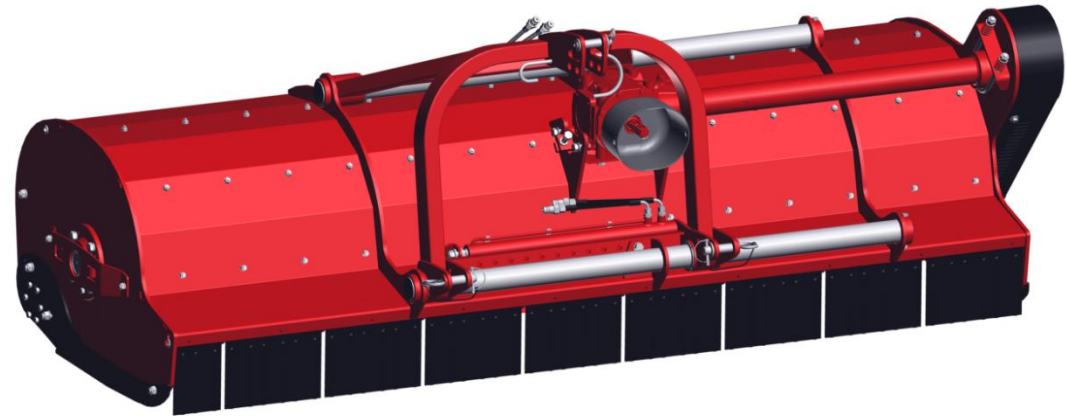
<https://www.youtube.com/watch?v=1clFnJgWG3s>

# 2.1. MP profi R LW (Field shredder profi)

Working width: 250 – 280 cm

Technical specification:

- High-quality double skin case
- Rotor fi: 219 mm
- Hammer weight: 1,6 kg
- 3 rows of counter knives



Model/Type	MP 250R LW	MP 280R LW
Working width (cm)	250	280
Transport width (cm)	270	300
Machine dimensions a x b x c (cm)	270 x 139 (227) x 112	300 x 139 (227) x 112
Machine offset (cm)	58	58
Number of belts (pcs)	5	5
Engine speed (rpm)	540 (1000)	540 (1000)
Number of hammers / knives (pcs)	22 / 66	26 / 78
Tractor power (kW)	55 - 88	63 - 96
Tractor power (KM)	75 - 120	85 - 130
Machine weight (kg)	1027	1135



# 2.1. MP profi R LW (Field shredder profi)

Working width: 250 – 280 cm

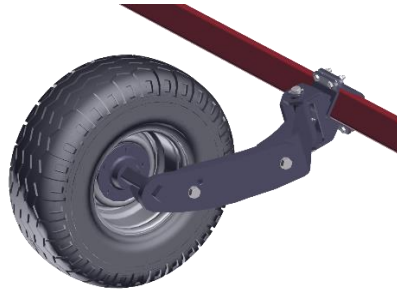
Standard equipment:

Only rear linkage, mechanical offset, hydraulic maintenance gate opening

Additional equipment:



Hydraulic offset



Wheels



Chain and rubber flap protection



PTO drive shaft

## 2.2. MPL light R LW (Field shredder light)

Working width: 250 – 280 cm

Technical specification:

- High-quality double skin case
- Rotor fi: 194mm
- Hammer weight: 1,4 kg
- 3 rows of counter knives



Model / Type	MPL 250R LW	MPL 280R LW
Working width (cm)	250	280
Transport width (cm)	270	300
Machine dimensions a x b x c (cm)	269 x 107 (150) x 109	299 x 107 (150) x 109
Machine offset (cm)	41	41
Number of belts (pcs)	4	4
Engine speed (rpm)	540	540
Number of hammers (pcs)	22 / 66	26 / 78
Tractor power (kW)	51 - 74	59 - 81
Tractor power (KM)	70 - 100	80 - 110
Machine weight (kg)	770	810

## 2.2. MPL light R LW (Field shredder light)

Working width: 250 – 280 cm

Standard equipment:

Only rear linkage, mechanical offset

Additional equipment:



Wheels



PTO drive shaft



Rubber flap protection

### 3. SIDE FLAIL MOWER

In addition to the universal application in agriculture, they are designed to **mulch municipality areas with an inclination of  $+90^{\circ}/-60^{\circ}$** , mainly the banks of watercourses, ditches, roadside areas and meadows, orchards and pastures.

Smooth operation is enabled by an electronically balanced rotor with **patented Low Vib (LW) distribution of the flails**. This ensures a reduced source of vibrations, minimum bending deformation and stress, which extends the service life of the flail mower.

Link:

<https://www.youtube.com/watch?v=-NYTIBcN20g>

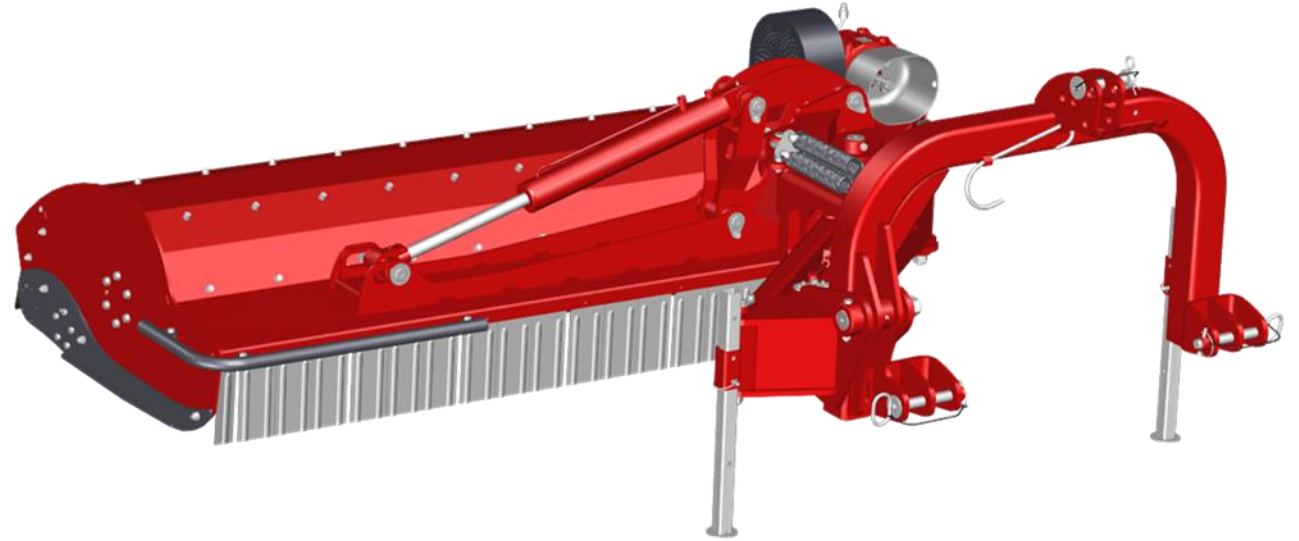
<https://www.youtube.com/watch?v=2PKZdDdrifU&t=4s>

# 3.1. MB profi R LW (Side flail mower profi)

Working width: 170 – 220 cm

Technical specification:

- High-quality double skin case
- Rotor fi: 168mm
- Hammer weight: 1,4 kg
- 3 rows of counter knives



Additional equipment:



PTO drive shaft

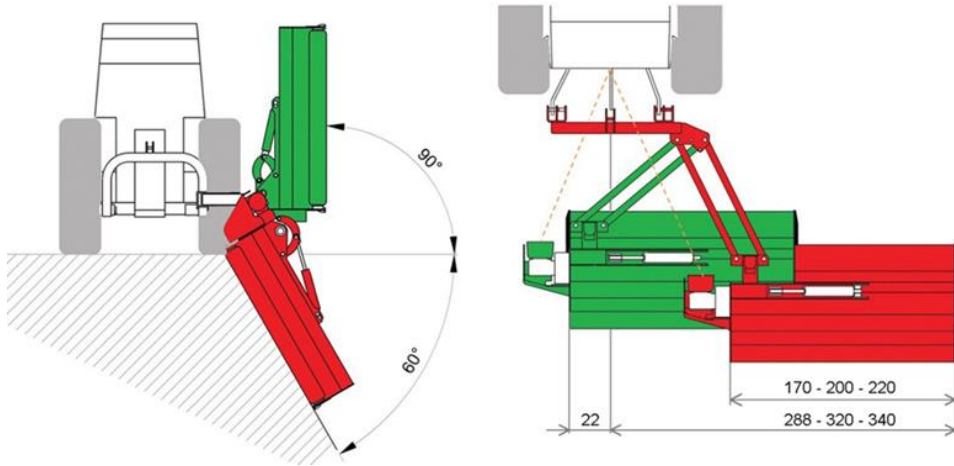
Model/Type	MB 170R LW	MB 200R LW	MB 220R LW
Working width (cm)	170	200	220
Transport height(cm)	226	256	276
Machine offset (cm)	150	150	150
Number of belts (pcs)	4	5	5
Engine speed (rpm)	540	540	540
Number of hammers (pcs)	16	18	20
Tractor power (kW)	44 - 66	51 - 74	59 - 81
Tractor power (KM)	60 - 90	70 - 100	80 - 110
Machine weight (kg)	913	973	1013
Minimum weight of tractor (kg)	4000	4500	5000



# 3.1. MB profi R LW (Side flail mower profi)

Working width: 170 – 220 cm

## Working area of the machine



## Protection of the machine

### Tilted double joint

The patented double joint assures a smooth and simultaneous shift and lifting of the side flail mower upon hitting an obstacle. This enables a safe crossing past obstacles. The return of the machine to the working position is enabled by the installed extension springs.

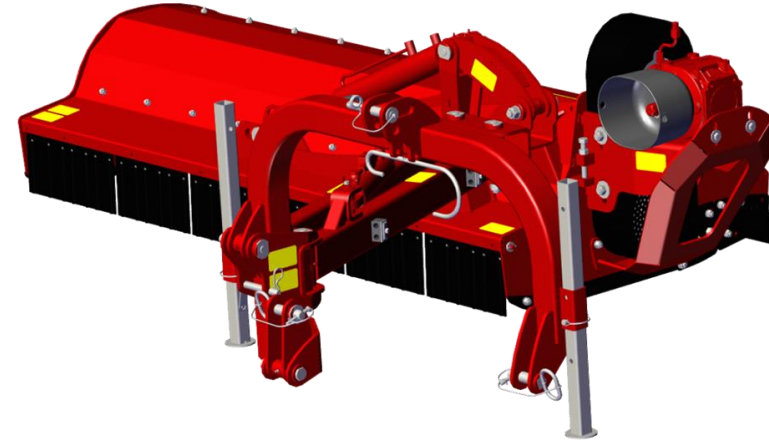


# 3.2. MBL light LW (Side flail mower light)

Working width: 150 – 200 cm

Technical specification:

- Rotor fi: 139mm
- Hammer weight: 1,0 kg
- 2 rows of counter knives



Additional equipment:



PTO drive shaft

Model/Type	MBL 150 LW	MBL 170 LW	MBL 200 LW
Working width (cm)	150	170	200
Transport height(cm)	236	256	286
Machine offset (cm)	140	140	140
Number of belts (pcs)	3	4	4
Engine speed (rpm)	540	540	540
Number of hammers (pcs)	14	16	18
Tractor power (kW)	37 - 51	40 - 59	48 - 63
Tractor power (KM)	50 - 70	55 - 80	65 - 85
Machine weight (kg)	527	557	599
Minimum weight of tractor (kg)	3000	3500	4000

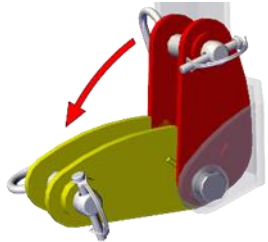
# 3.2. MBL light LW (Side flail mower light)

Working width: 150 – 200 cm

## Working area of the machine



## Protection of the machine



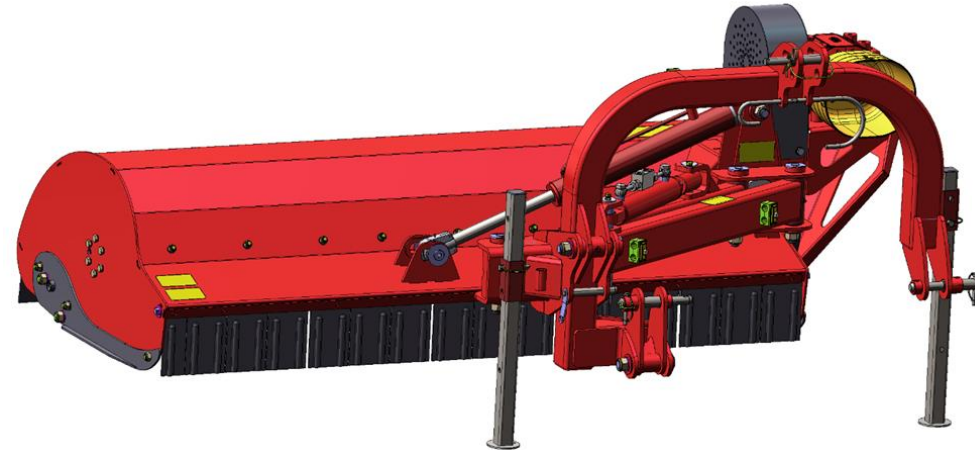
When it encounters an obstacle, the machine leans back

# 3.3. MBLS simple LW (Side flail mower simple)

Working width: 110 – 170 cm

Technical specification:

- Rotor fi: 114mm
- Hammer weight: 1,0 kg
- 1 row of counter knives



Additional equipment:



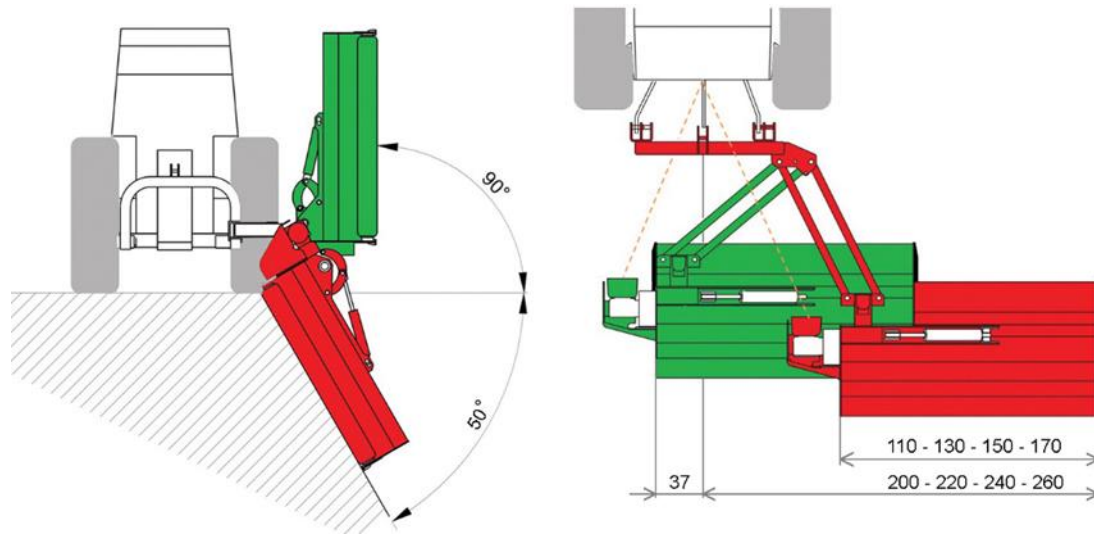
PTO drive shaft

Model/Type	MBLS 110 LW	MBLS 130 LW	MBLS 150 LW	MBLS 170 LW
Working width (cm)	110	130	150	170
Transport height(cm)	150	170	190	210
Machine offset (cm)	127	127	127	127
Number of belts (pcs)	3	3	3	3
Engine speed (rpm)	540	540	540	540
Number of hammers (pcs)	10	12	14	16
Tractor power (kW)	22 - 37	26 - 40	29 - 44	33 - 48
Tractor power (KM)	30 - 50	35 - 55	40 - 60	45 - 65
Machine weight (kg)	380	398	420	444
Minimum weight of tractor (kg)	1500	1700	1900	2000

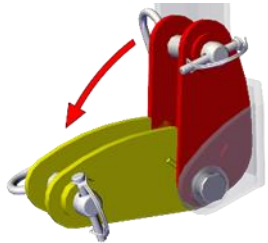
# 3.3. MBLS simple LW (Side flail mower simple)

Working width: 110 – 170 cm

## Working area of the machine



## Protection of the machine



When it encounters an obstacle, the machine leans back

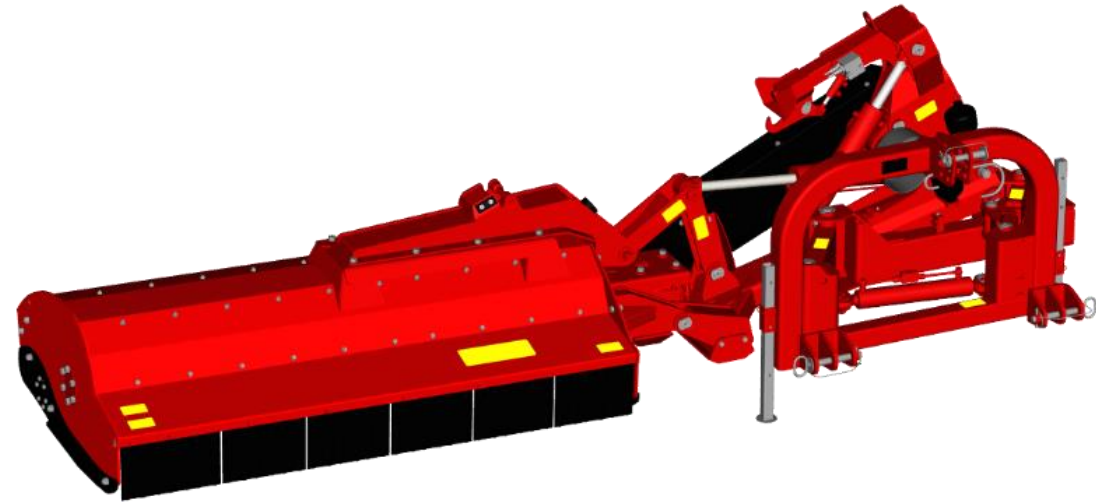


# 3.4. MBP profi LW (Flexible side flail mower profi)

Working width: 200 – 280 cm

Technical specification:

- High-quality double skin case
- Rotor fi: 194mm
- Hammer weight: 1,4 kg
- 3 rows of counter knives



Additional equipment:



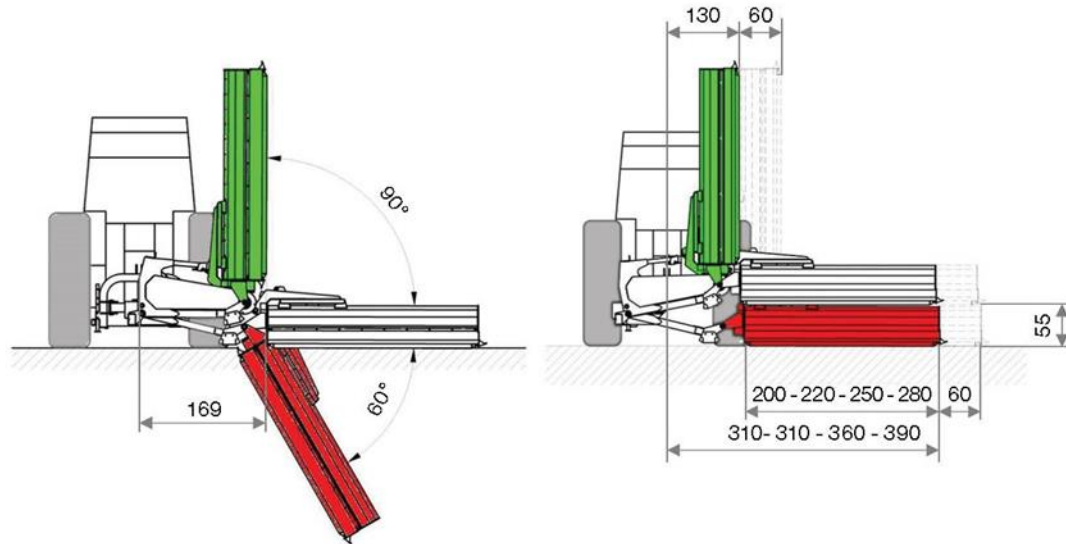
PTO drive shaft

Model/Type	MBP 200R LW	MBP 220R LW	MBP 250R LW	MBP 280R LW
Working width (cm)	200	220	250	280
Transport height(cm)	306	326	352	382
Machine offset (cm)	60	60	60	60
Number of belts (pcs)	5	5	5	5
Engine speed (rpm)	1000	1000	1000	1000
Number of hammers (pcs)	18	20	22	26
Tractor power (kW)	51 - 81	59 - 88	70 - 99	77 - 107
Tractor power (KM)	70 - 110	80 - 120	95 - 135	105 - 145
Machine weight (kg)	1435	1475	1540	1595
Minimum weight of tractor (kg)	4000	4500	5000	5500

# 3.4. MBP profi LW (Flexible side flail mower profi)

## Working width: 200 – 280 cm

### Working area of the machine



### Protection of the machine

#### Hydraulic safety system

The patented hydraulic safety system of parallelogram shift ensures an offset of the lateral flail mower and the relief of the linkage upon reaching an obstacle. The return of the machine to the working position is enabled by a hydraulic actuator.



# 3.5. MBPL light LW (Flexible side flail mower light)

Working width: 150 – 200 cm

Technical specification:

- Rotor fi: 139mm
- Hammer weight: 1,0 kg
- 1 rows of counter knives



Additional equipment:



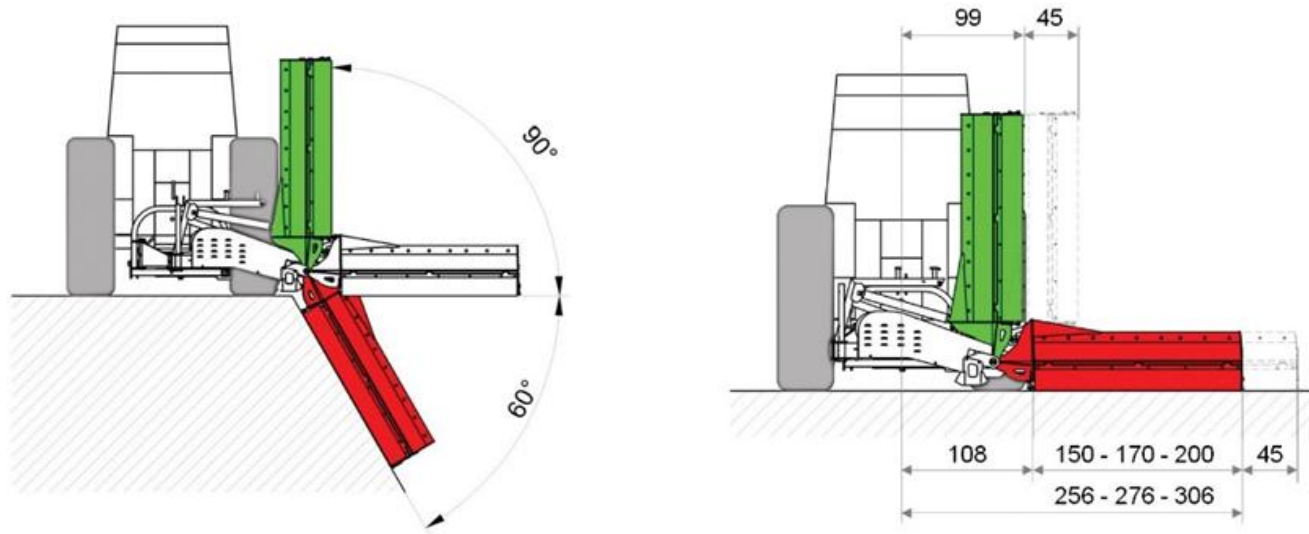
PTO drive shaft

Model/Type	MBPL 150 LW	MBPL 170 LW	MBPL 200 LW
Working width (cm)	150	170	200
Transport height (cm)	244	264	294
Machine offset (cm)	45	45	45
Number of belts (pcs)	4	4	4
Engine speed (rpm)	540	540	540
Number of hammers (pcs)	14	16	18
Tractor power (kW)	33 - 48	37 - 55	44 - 59
Tractor power (KM)	45 - 65	50 - 75	60 - 80
Machine weight (kg)	610	634	670
Minimum weight of tractor (kg)	2500	3000	3500

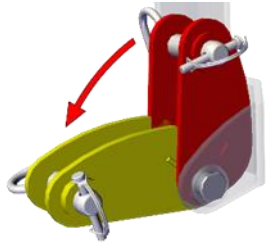
# 3.5. MBPL light LW (Flexible side flail mower light)

Working width: 150 – 200 cm

## Working area of the machine



## Protection of the machine



When it encounters an obstacle, the machine leans back

## 4. FINISHING MOWER

They are primarily intended for the quick and effective mulching of grass in orchards, vineyards, parks, pastures, airfields, golf courses, etc.

Link:

<https://www.youtube.com/watch?v=mx8iM4uNyuA>

<https://www.youtube.com/watch?v=I5IH-bQNP50>



# 4.1. MT profi (Finishing mower profi)

Working width: 180 – 260 cm

## Technical specification:

Model/Type	MT 180	MT 230	MT 260
Working width (cm)	180	230	260
Transport width (cm)	181	233	260
Machine dimensions a x b x c (cm)	181 x 167 x 106	233 x 180 x 106	260 x 215 x 115
Machine offset (cm)	45	62	62
Number of belts (pcs)	3	3	3
Engine speed (rpm)	540 (1000)	540 (1000)	540 (1000)
Number of rotors (pcs)	3	3	4
Number of knives (pcs)	12	18	16
Tractor power (kW)	29 - 48	37 - 55	40 - 59
Tractor power (KM)	40 - 65	50 - 75	55 - 80
Machine weight (kg)	487	581	770



## Additional equipment:



PTO drive shaft

# 4.2. MTL light (Finishing mower light)

Working width: 180 – 260 cm

## Technical specification:

Model/Type	MTL 120	MTL 150	MTL 180	MTL 210
Working width (cm)	120	150	180	210
Number of belts (pcs)	2	2	2	2
Engine speed (rpm)	540	540	540	540
Number of rotors (pcs)	3	3	3	3
Number of knives (pcs)	3	3	3	3
Tractor power (kW)	15 - 33	22 - 40	26 - 44	29 - 48
Tractor power (KM)	20 - 45	30 - 55	35 - 60	40 - 65
Machine weight (kg)	178	196	214	400

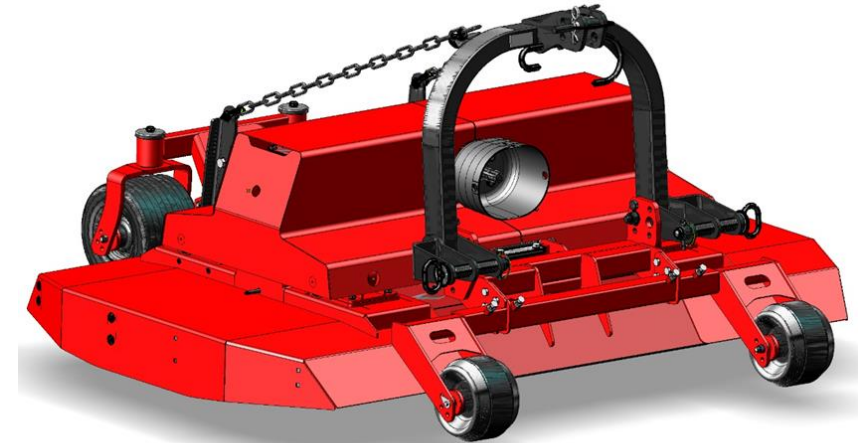


# 4.3. MTV2 (Finishing mower vario 2)

Working width: 125/160 and 145/195 cm

## Technical specification:

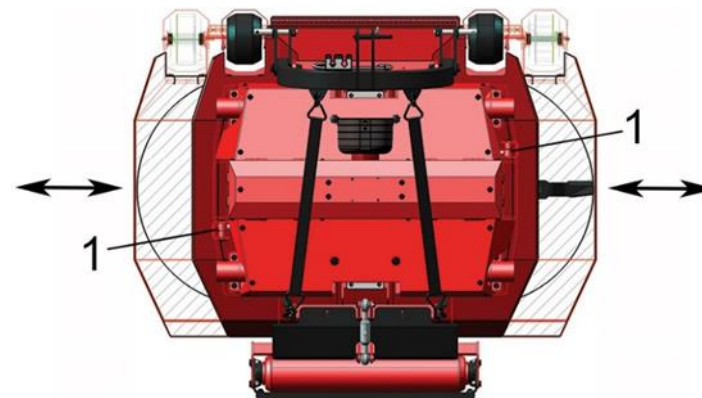
Model/Type	MTV2 (125/160)	MTV2 (145/195)
Min. / Max working width a (cm)	128 / 162	145 / 195
Min. / Max. transport width d (cm)	131 / 165	148 / 198
Dimensions b and c (cm)	178 / 103	202 / 103
Machine offset (cm)	34	50
Engine speed (rpm)	540 (1000)	540 (1000)
Number of rotors (pcs)	2	2
Number of knives (pcs)	4	4
Tractor power (kW)	26 - 45	29 - 51
Tractor power (KM)	35 - 60	40 - 70
Machine weight (kg)	495	559



## Additional equipment:



PTO drive shaft



# 4.4. MTV3 (Finishing mower vario 3)

Working width: 190/260 and 215/290 cm

## Technical specification:

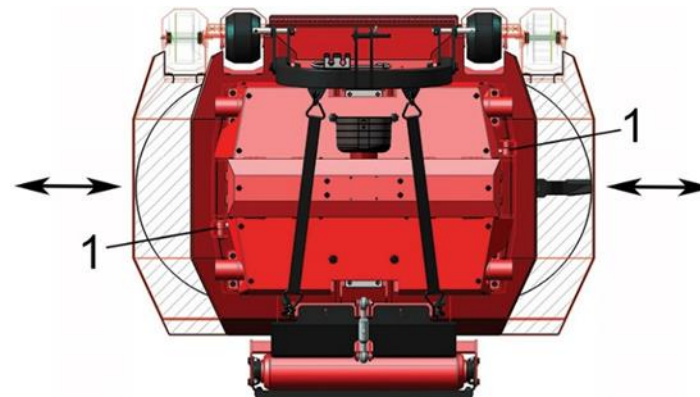
Model/Type	MTV3 (190/260)
Min. working width (cm)	190
Max. working width (cm)	260
Machine dimensions a x b x c (cm)	192/262 x 186 x 104
Machine offset (cm)	70
Number of belts (pcs)	4
Engine speed (rpm)	540 (1000)
Number of rotors (pcs)	3
Number of knives (pcs)	12
Tractor power (kW)	37 - 55
Tractor power (KM)	50 - 75
Machine weight (kg)	694



## Additional equipment:



PTO drive shaft

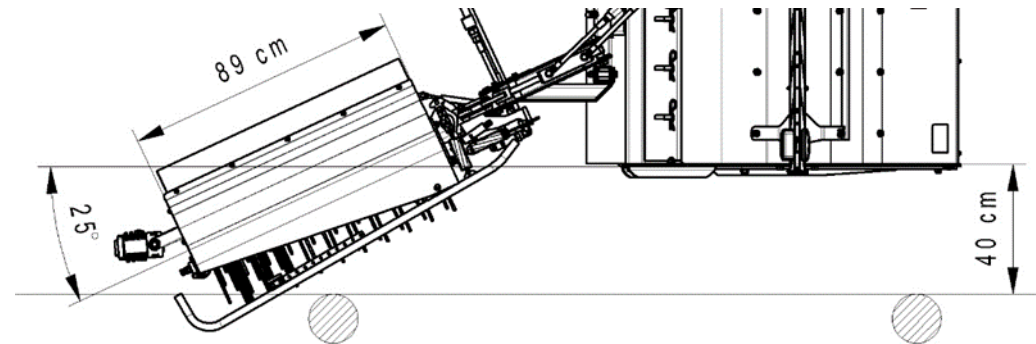


# 4.5. P 80 (weed mower)

Left or right

## Technical specification:

Model / Type	P80 D	P80 L
Working width (cm)	80	80
Number of round belts	52	52
Diameter of round belt (mm)	6,5	6,5
Length of round belt (cm)	40	40
Working height from the ground (cm)	1-2	1-2
RPM of rotor (min <sup>-1</sup> )	1800-2000	1800-2000
Required oil flow (l/min)	25-30	25-30
Required oil pressure (bar)	180	180
Machine weight (kg)	65	65





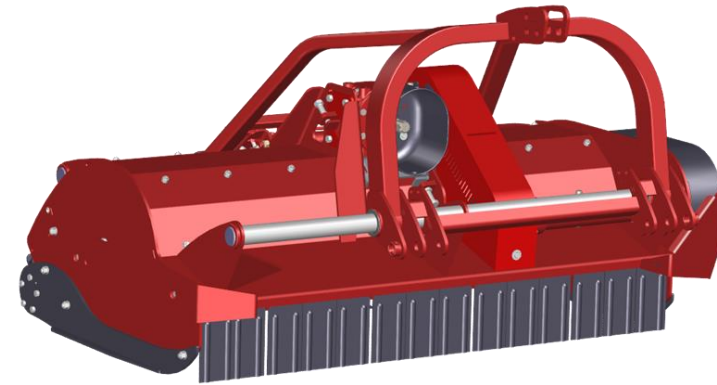
# 4.6. MUS profi R LW

## (Flail mower for orchards and vineyards)

Working width: 130 – 200 cm

Technical specification:

- High-quality double skin case
- Rotor fi: 168mm
- Hammer weight: 1,4 kg
- 3 rows of counter knives



Model/Type	MUS 130R LW	MUS 150R LW	MUS 170R LW	MUS 200R LW
Working width (cm)	130	150	170	200
Transport width (cm)	142	162	182	212
Machine dimensions axbxc (cm)	142 x 124 x 99	162 x 124 x 99	182 x 124 x 99	212 x 124 x 99
Machine offset (cm)	41	51	51	51
Number of belts (pcs)	4	4	4	4
Engine speed (rpm)	540 (1000)	540 (1000)	540 (1000)	540 (1000)
Number of hammers (pcs)	12	14	16	18
Tractor power (kW)	22 - 37	29 - 48	33 - 51	37 - 51
Tractor power (KM)	30 - 50	40 - 65	45 - 70	50 - 70
Machine weight (kg)	543	588	644	708

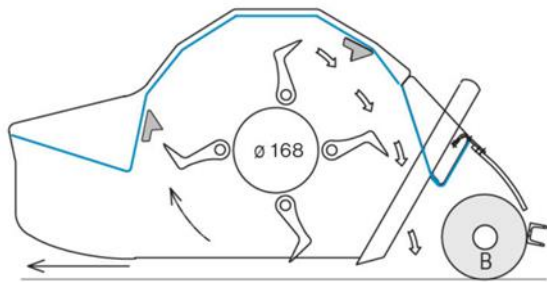
# 4.6. MUS profi R LW (Flail mower for orchards and vineyards)

Working width: 130 – 200 cm

Standard equipment:

Turnable linkage, hydraulic offset, pick-up knives bracket

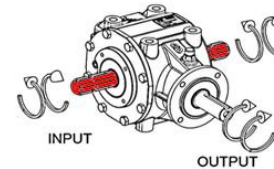
Additional equipment:



Pick-up knife



PTO drive shaft



Reversible gearbox

## 5. SPECIALIZED MOWERS

# 5.1. MGL light LW (Forestry mulcher light)

Working width: 170 – 220 cm

Technical specification:

- High-quality double skin case
- Rotor fi: 244 mm
- Hammer weight: 2,14 kg
- 3 rows of counter knives



Model/Type	MGL 170 LW	MGL 220 LW
Working width (cm)	170	220
Transport width (cm)	190	253
Machine dimensions a x b x c (cm)	205x130x170	255x130x170
Number of belts (pcs)	5	5
Engine speed (rpm)	1000	1000
Number of hammers (pcs)	30 / 36	40 / 48
Tractor power (kW)	60 - 74	74 - 103
Tractor power (KM)	80 - 110	100 - 140
Machine weight (kg)	940 / 1294	1215 / 1530

Link:

<https://www.youtube.com/watch?v=jtVg6PtnP6M>

<https://www.youtube.com/watch?v=Ly8TRr6dAVs&t=4s>

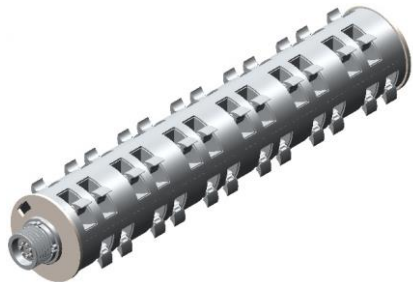
# 5.1. MGL light LW (Forestry mulcher light)

Working width: 170 – 220 cm

Standard equipment:

- Added screwed high-strength and wear-resistant sheet metal in the inside of the housing
- Fell protection pole
- Hydraulic hood opening/closing
- Rounded skids, reinforced with high-strength wear resistant sheet metal, enable work in both directions of travel (forward, backward)
- Rubber flap and chain protection

Additional equipment:



Rotor BIG



PTO drive shaft



# 5.2. MPS profi LW (Asparagus flail mower profi)

Working width: 150 – 540 cm

Technical specification:

- High-quality double skin case
- Hammer weight: 1,4 kg
- 5 rows of counter knives



Model/Type	MPS 150 LW
Working width (cm)	150
Transport width (cm)	238
Machine dimensions a x b x c (cm)	238 x 112 x 125
Number of belts (pcs)	5
Engine speed (rpm)	1000
Number of hammers (pcs)	36
Tractor power (kW)	48 - 88
Tractor power (KM)	65 - 120
Machine weight (kg)	805

Model/Type	MPS2Z 540 LW
Working width (cm)	2 x 150
Width between rows	190; 200; 210
Transport width (cm)	290
Machine dimensions a x b x c (cm)	540 x 220 x 142
Number of belts (pcs)	2 x 5
Engine speed (rpm)	1000
Number of hammers (pcs)	2 x 36
Tractor power (kW)	96 - 132
Tractor power (KM)	130 - 180
Machine weight (kg)	2390

Link: [https://www.youtube.com/watch?v=4H\\_eccdtIGM](https://www.youtube.com/watch?v=4H_eccdtIGM)

# 5.2. MPS profi LW (Asparagus flail mower profi)

Working width: 150 – 540 cm

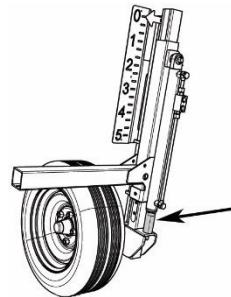
Standard equipment:

- Manually adjustable wheel height
- Pick-up/steering poles
- Hydraulic hood opening/closing
- Chain protection

Additional equipment:



Regulation with solenoid valves



Cylinder extension



PTO drive shaft

# 5.3. MULH hydro LW (Universal flail mower light hydro)

## Working width: 130 – 170 cm

Technical specification:

- Rotor fi: 139 mm
- Hammer weight: 1,00 kg
- 1 row of counter knives



Additional equipment:



Hydraulic offset



Rubber flap protection

Model/Type	MULH 130 LW	MULH 150 LW	MULH 170 LW
Working width (cm)	130	150	170
Oil flow Q (l/min)	48	53	60
Pressure p (bar)	200	200	200